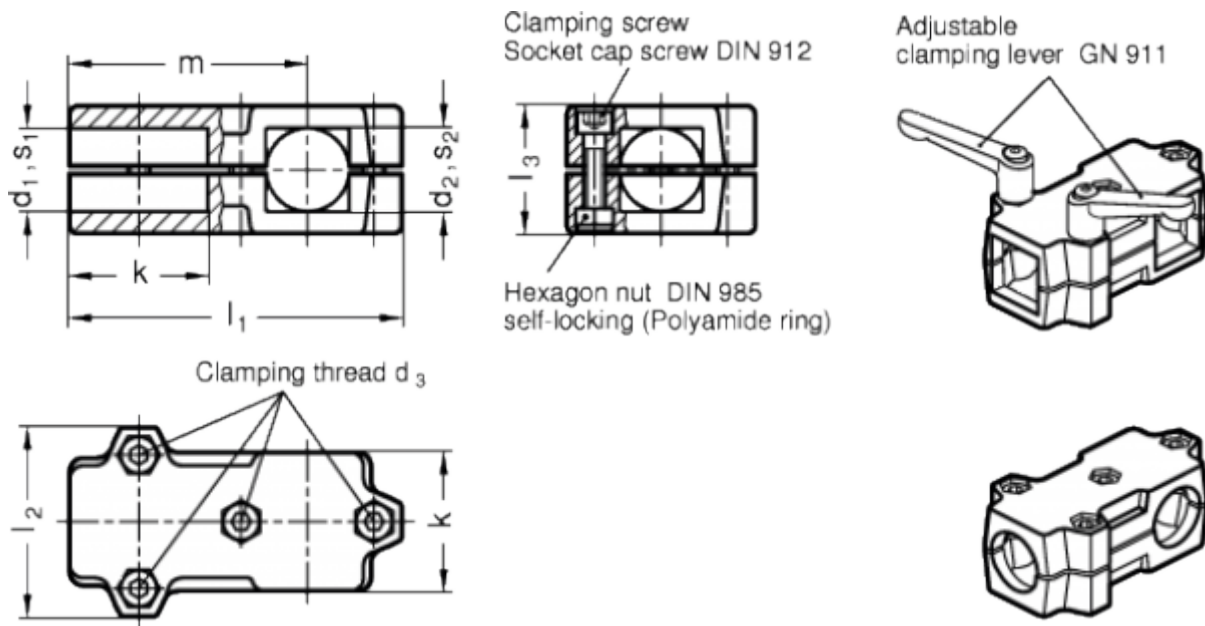


Article number: 20193V35B35602SW
 Description: E+G T-angel clamp
 GN 193-V35-B35-60-2-SW

Measures



| | | |
|----------------------------|---------------|-------|
| Accessories = GN 911-M8-55 | m | = - |
| d1 = - | s1 | = 35 |
| d2 = 35 | s2 | = - |
| d3 = M8 | Weight in (g) | = 692 |
| k = 60 | | |
| l1 = 141 | | |
| l2 = 79 | | |
| l3 = 59 | | |